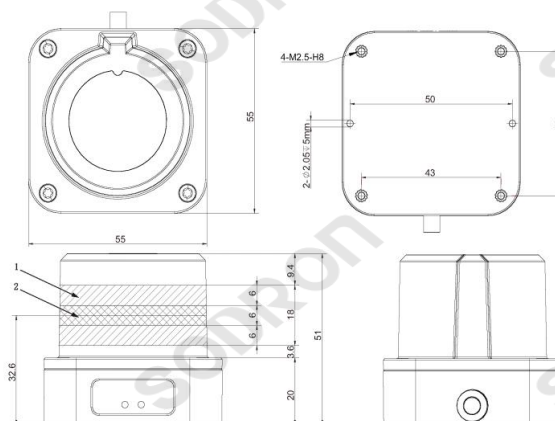
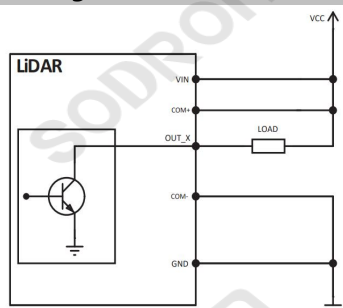


**Model**

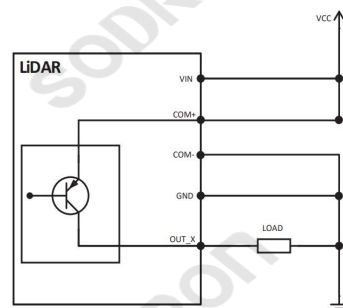
SL02

Product Features

Sensitive Industrial-Grade Obstacle Avoidance LiDAR
 Maximum scanning frequency up to 30Hz
 5 adjustable levels of angular resolution
 Compact size and lightweight design

Dimension**Wiring Method**

NPN



PNP

Technical Parameters

Ranging Principle	dToF	
Laser Wavelength	905nm	
Horizontal Field of View	270°	
Detection Distance	SL02-10I ≥10m@70% ≥5m@10% ≥2m@1.8%	SL02-20I ≥20m@70% ≥10m@10% ≥3m@1.8%
Scanning Frequency	10Hz; 15Hz; 20Hz; 25Hz; 30Hz	
Data Sampling Rate	22.5kHz	
Horizontal Angular Resolution	0.16°(10Hz), 0.24°(15Hz), 0.32°(20Hz) 0.4°(25Hz), 0.48°(30Hz)	
Ranging Accuracy	±2cm	
Data Protocol	RS485-MODBUS	
Number of Channels	4 Input Channels, 4 Output Channels	
Digital Output	4-channel NPN (or PNP) signal, Iout ≤ 100mA	
Response Time	33ms(30Hz)	
Start-up Time	UYM	
Signal Output Delay	0~1000ms Adjustable within	
Signal Hold Delay	0~1000ms Adjustable within	
Laser Class	Class1 Eye Safety	
Ambient Light Immunity	< 100000 lux	
Operating Voltage	9~36V	
Typical Power Consumption	2.5W	
Overall Dimensions	Length 55mm , Width 55mm , Height 51mm	
Operating Temperature	-25°C~60°C	
Storage Temperature	-45°C~75°C	
Protection Structure	IEC IP67	